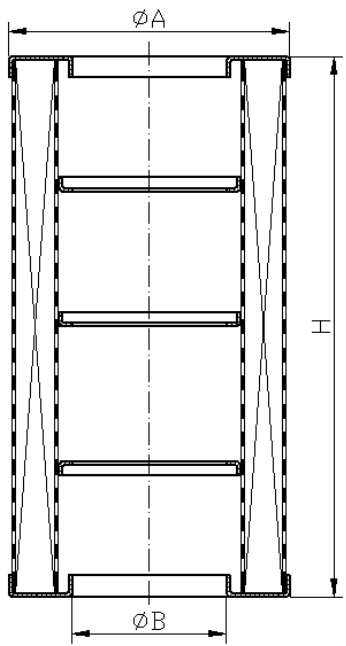
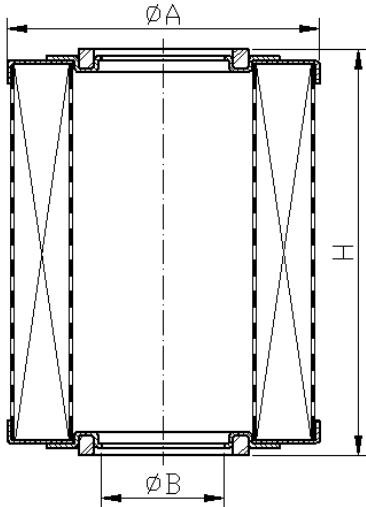


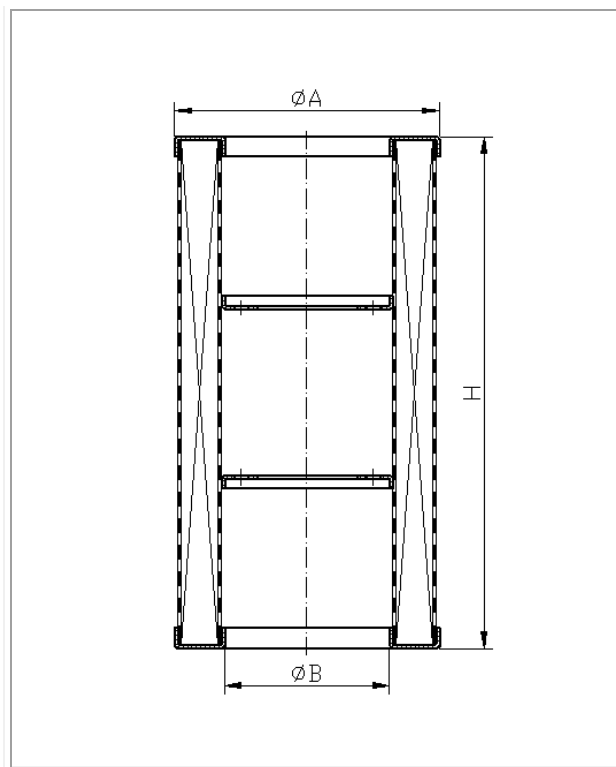
Filteri hidraulike

			<i>I01</i>
Dimenzije			Oznaka NTP
A	H	B	
250	400	164	FH01-0010



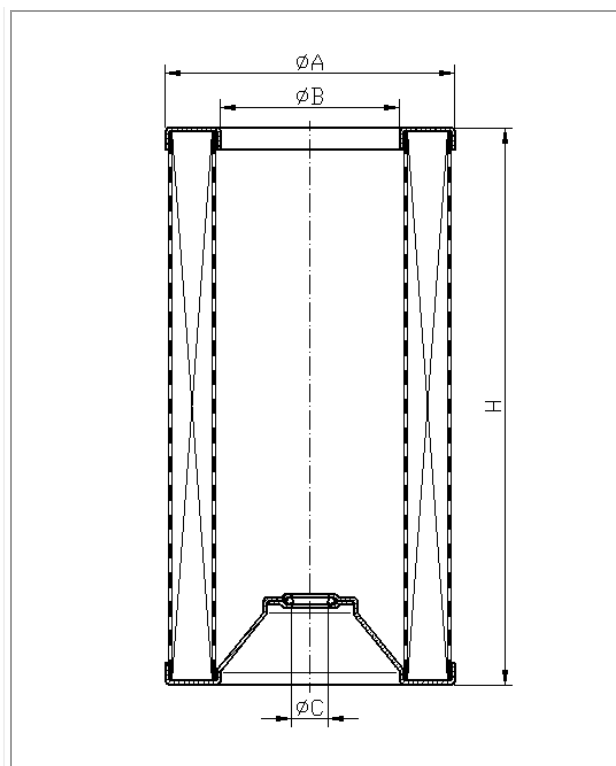
			<i>I02</i>
Dimenzije			Oznaka NTP
A	H	B	
120	165	57	FH01-0011





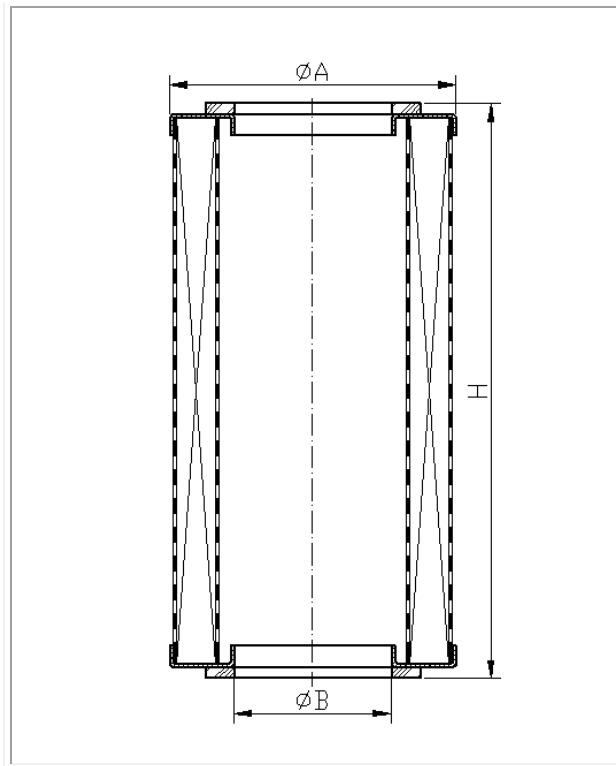
I03

Dimenzije			Oznaka NTP
A	H	B	
101	235	59	FH01-0012



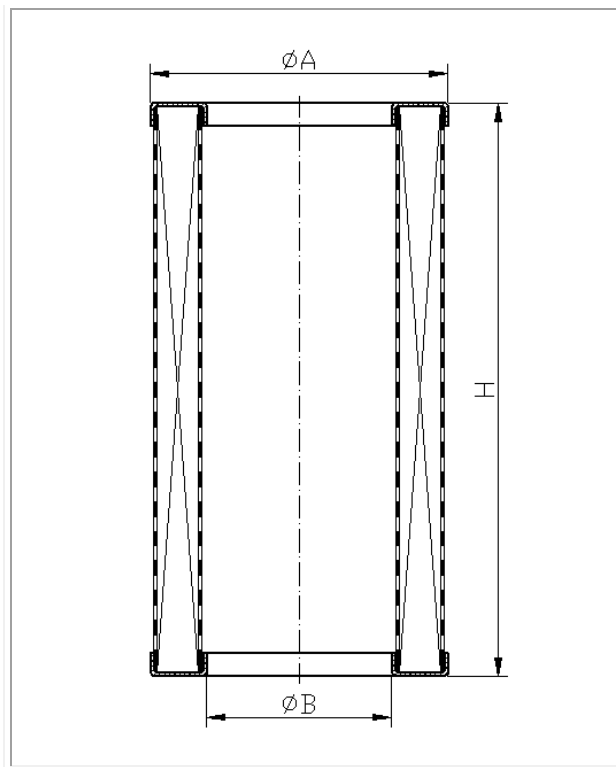
I04

Dimenzije				Oznaka NTP
A	H	B	C	
126	480,5	92	10	FH01-0013



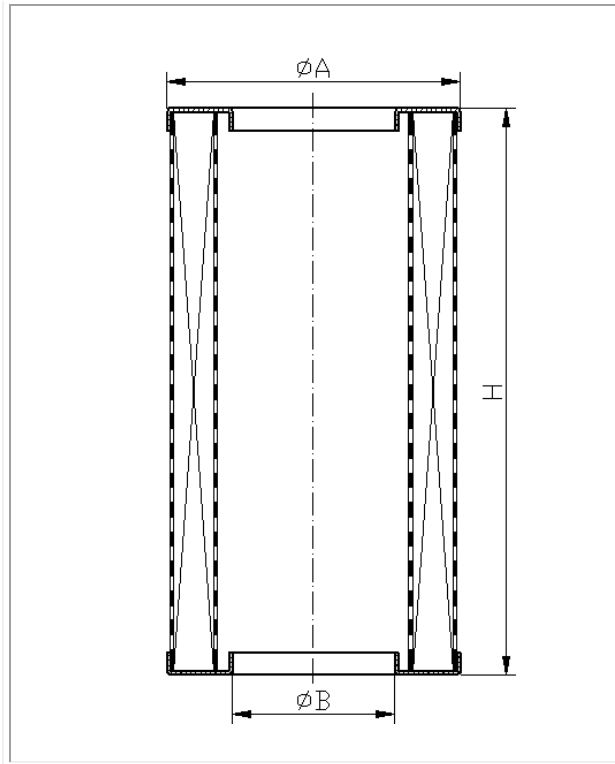
I05

Dimenzije			Oznaka NTP
A	H	B	
82	195	24	FH01-0014



I06

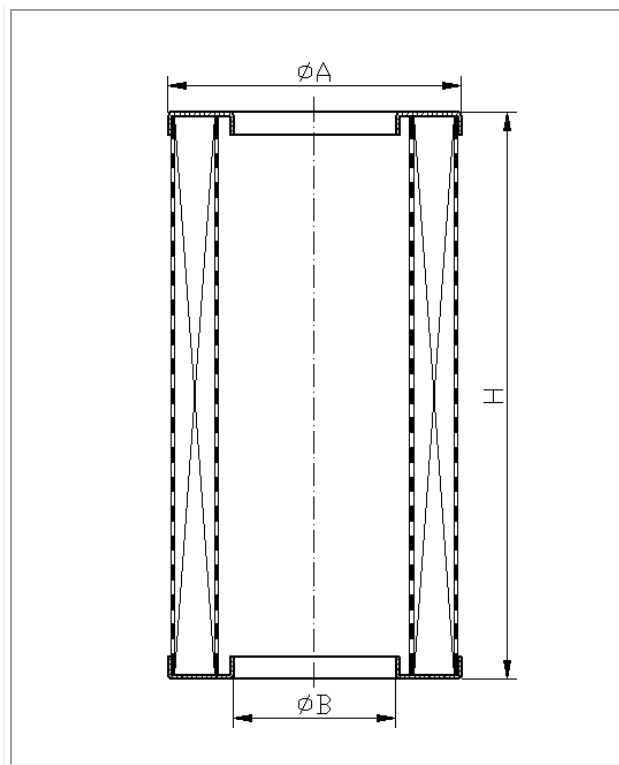
Dimenzije			Oznaka NTP
A	H	B	
95	200	43	UH01-0012



I07

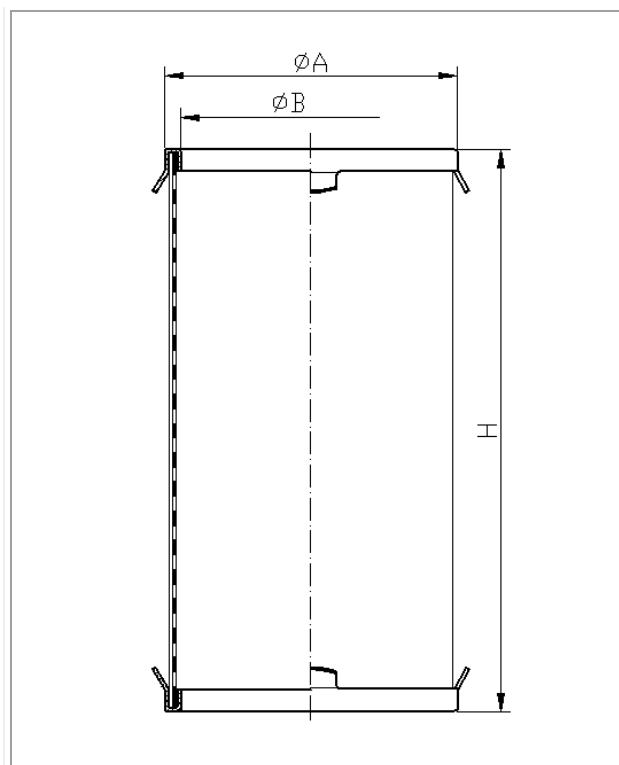
Dimenzije			Oznaka NTP
A	H	B	
59	100	18	UH01-0017

Filteri ulja



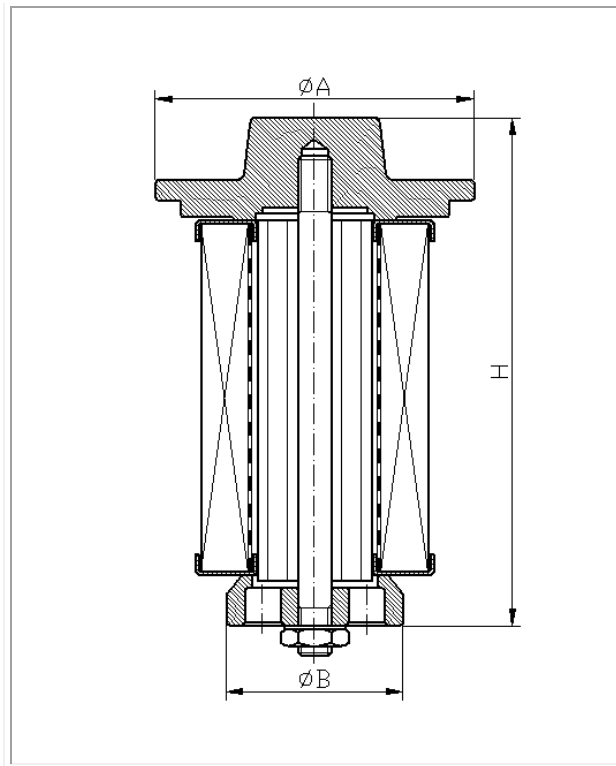
I08

Dimenzije			Oznaka NTP
A	H	B	
100	195	30	PU01.100
113	228,5	36	PU02.000
100	195	30	U01-0010
100	195	39	U01-0013
100	195	39	U01-0014
113	228,5	36	U01-0020
120	196	56	U02-0073



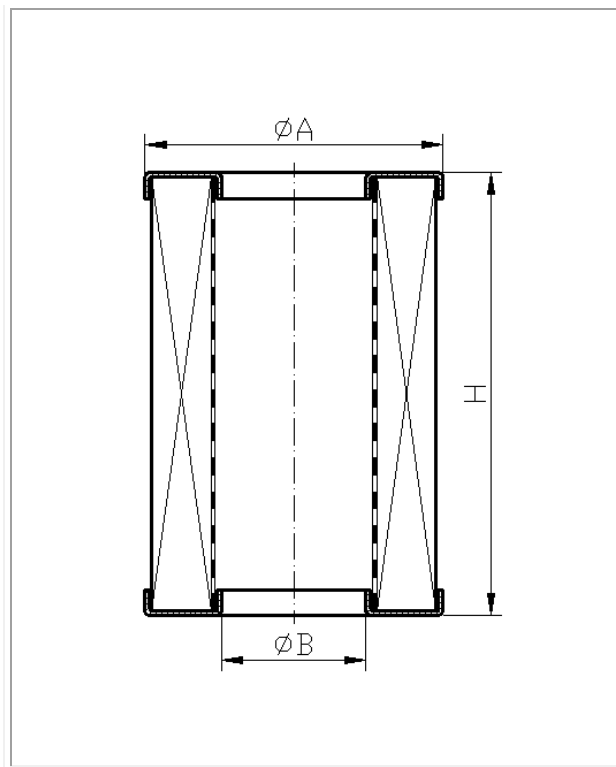
I09

Dimenzije			Oznaka NTP
A	H	B	
113,5	210	105,5	PU01.200



I10

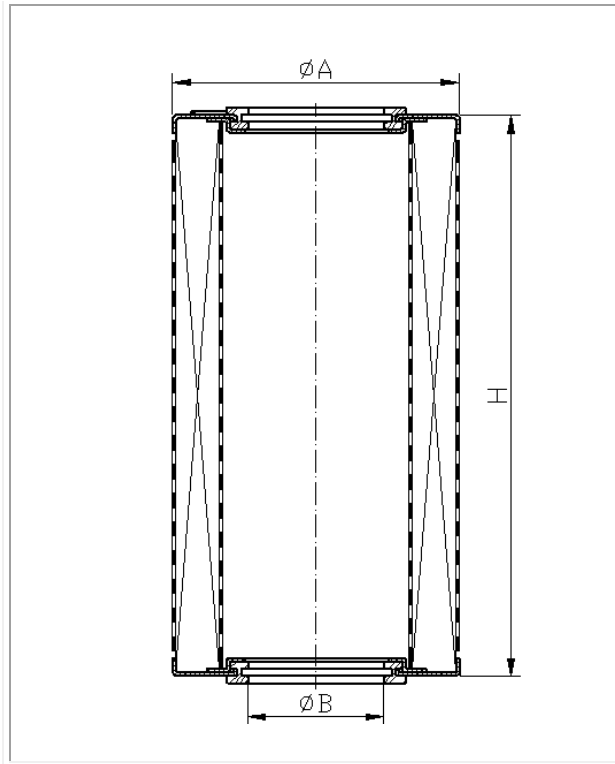
Dimenzije			Oznaka NTP
A	H	B	
75	175,5	38	PU07.000



III

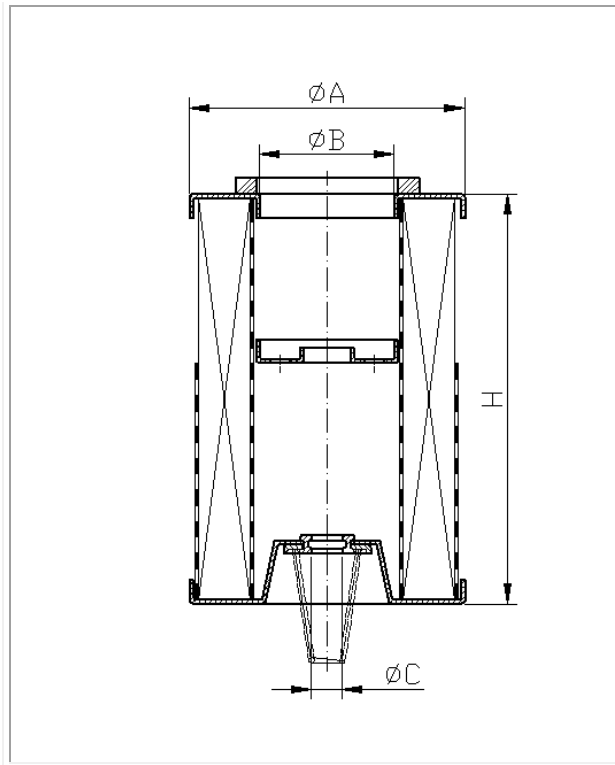
Dimenzije			Oznaka NTP
A	H	B	
53,5	125	24,5	PU07.100

I12



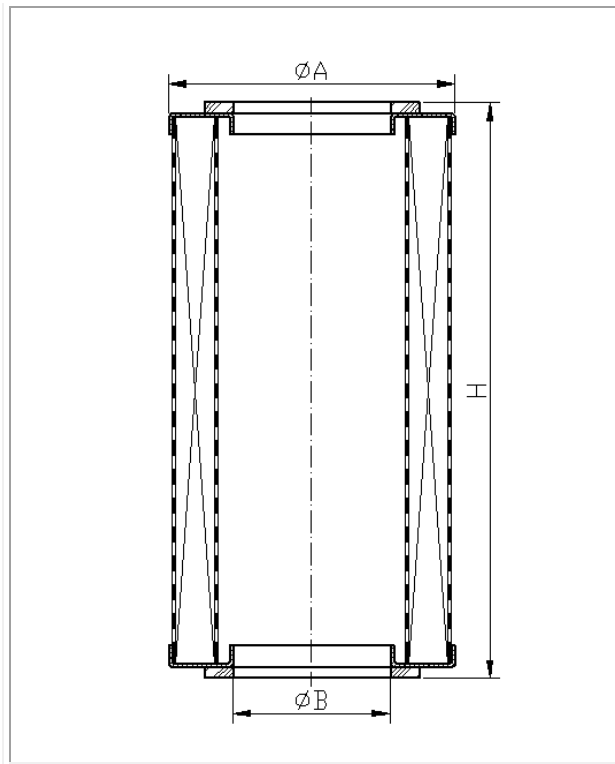
Dimenzije			Oznaka NTP
A	H	B	
84	193	23,4	U01-0035
84	131	23,4	U01-0036

I13



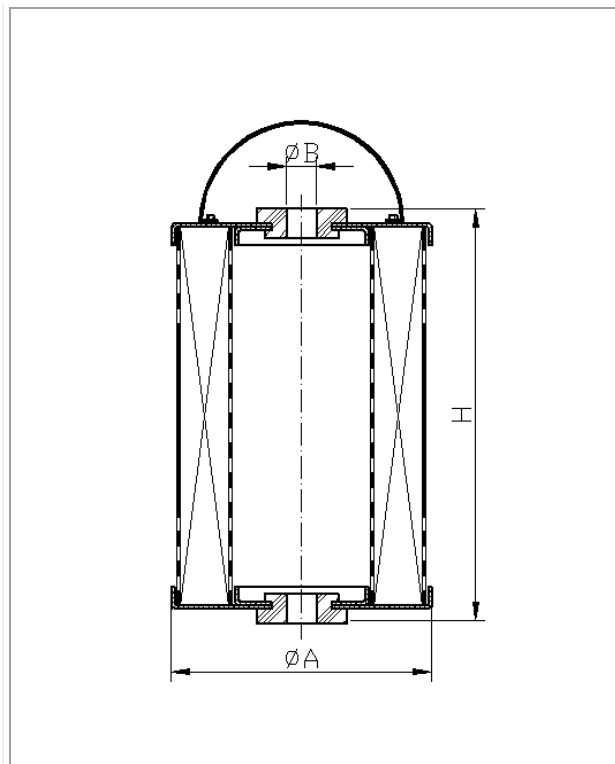
Dimenzije				Oznaka NTP
A	H	B	C	
120	166	56	13,4	U02-0061
120	243	56	13,4	U02-0071
120	205	56	13,4	U02-0076

I14

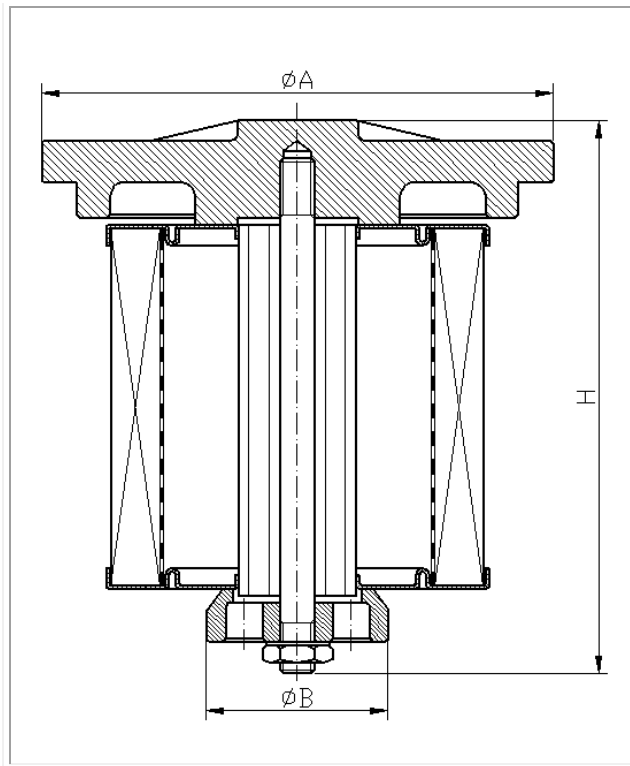


Dimenzije			Oznaka NTP
A	H	B	
150	185	54	U02-0074
83	108	29	U36.000
83	108	29	U03-0062

I15

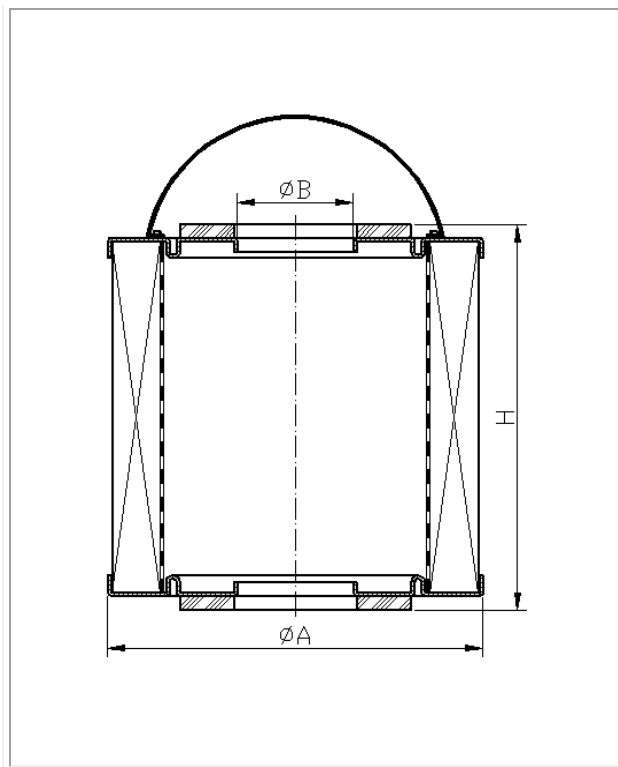


Dimenzije			Oznaka NTP
A	H	B	
100	204	12	U13.000
100	204	14	UP01-0030



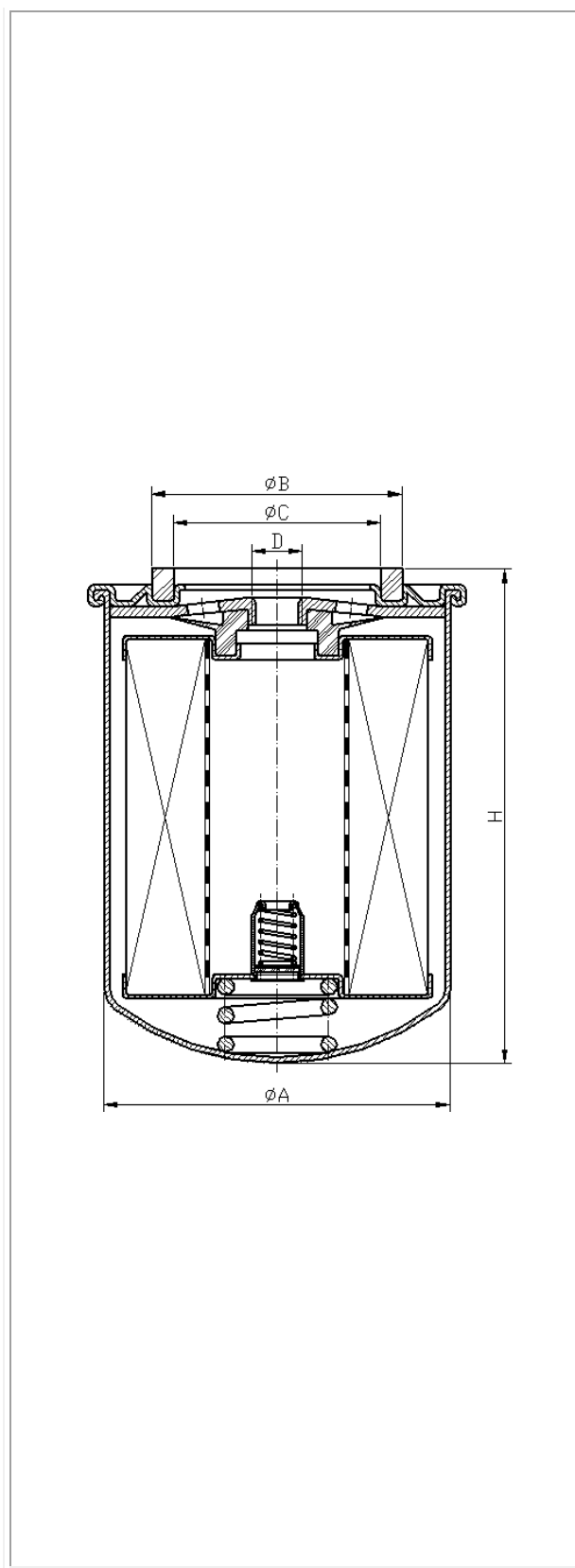
I16

Dimenzije			Oznaka NTP
A	H	B	
111	163	38	UM10.000

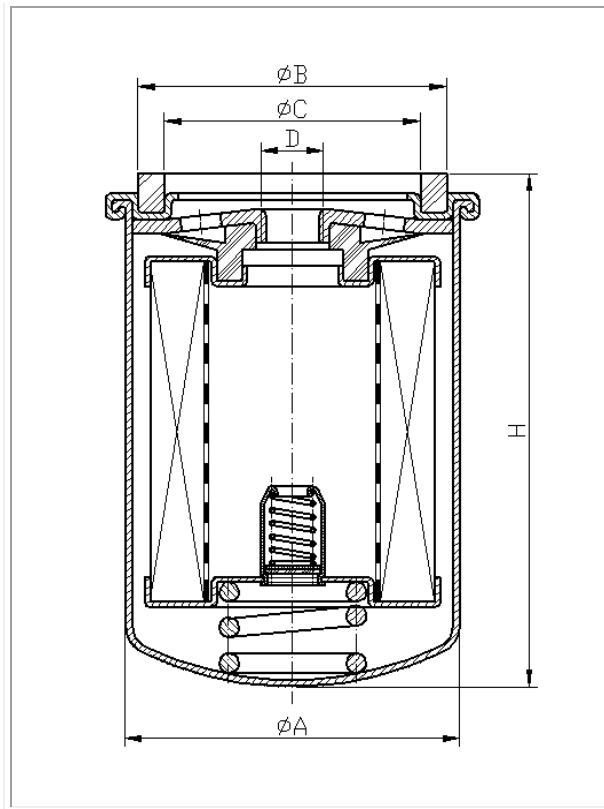


I17

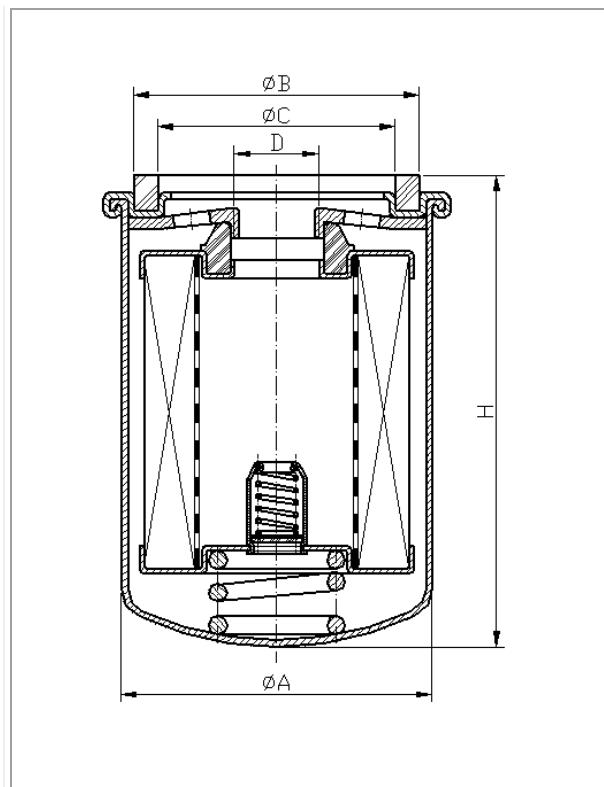
Dimenzije			Oznaka NTP
A	H	B	
83	108	29	UM36.000



						I18
Dimenzije						Oznaka NTP
A	H	B	C	D	By pass	
93	146	71	62	3/4'-16 UNF-2B	2.5	UW01-0010
93	146	71	62	1'-12 UNF-2B	2.5	UW01-0011
93	146	71	62	M20x1,5-6H	1	UW01-0012
93	146	71	62	3/4'-16 UNF-2B	2.5	UW01-0025
93	170	71	62	3/4'-16 UNF-2B	2.5	UW01-0060
93	170	71	62	1'-12 UNF-2B	2.5	UW01-0061
93	170	71	62	1'-12 UNF-2B	1	UW01-0062
93	118	71	62	3/4'-16 UNF-2B	2.5	UW01-0030
93	118	71	62	1'-12 UNF-2B	1	UW01-0031
93	118	71	62	M20x1,5-6H	1	UW01-0032
93	98	71	62	3/4'-16 UNF-2B	1.5	UW01-0040
93	98	71	62	M20x1,5-6H	1	UW01-0041
93	98	71	62	3/4'-16 UNF-2B	1	UW01-0042
93	77	71	62	3/4'-16 UNF-2B	1	UW01-0045
93	67	71	62	3/4'-16 UNF-2B	1	UW01-0050
108	170	71	62	3/4'-16 UNF-2B	1	UW03-0060
108	95	71	62	3/4'-16 UNF-2B	1	UW03-0010
108	115	71	62	3/4'-16 UNF-2B	2.5	UW03-0020
108	115	71	62	3/4'-16 UNF-2B	1	UW03-0021
108	135	71	62	3/4'-16 UNF-2B	1	UW03-0030
108	135	71	62	1'-12 UNF-2B	1	UW03-0031
108	227	71	62	1'-12 UNF-2B	1	UW03-0040



Dimenzije						I19
A	H	B	C	D	By pass	Oznaka NTP
76	123	71	62	3/4'-16 UNF-2B	2.5	UW02-0010
76	123	71	62	3/4'-16 UNF-2B	1	UW02-0011
76	95	71	62	3/4'-16 UNF-2B	1	UW02-0021
76	95	71	62	M20x1,5-6H	1	UW02-0022
76	95	71	62	M18x1,5-6H	-	UW02-0023
76	79	71	62	3/4'-16 UNF-2B	2.5	UW02-0040
76	79	71	62	M18x1,5-6H	-	UW02-0041
76	79	71	62	M16x1,5-6H	1	UW02-0042



Dimenzije						I20
A	H	B	C	D	By pass	Oznaka NTP
108	260	104	93	1-1/8" 16UN	2.5	UW03-0080
108	260	104	93	1-1/8" 16UN	-	UW03-0081
108	260	104	93	1-1/8" 16UN	1	UW03-0082
108	170	104	93	1-1/8" 16UN	-	UW03-0065
108	227	104	93	M30x2-6H	-	UW03-0041