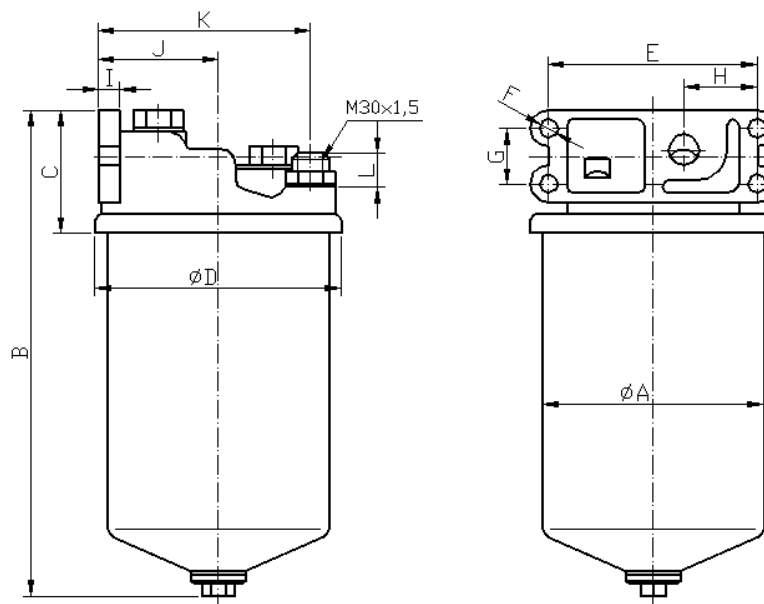


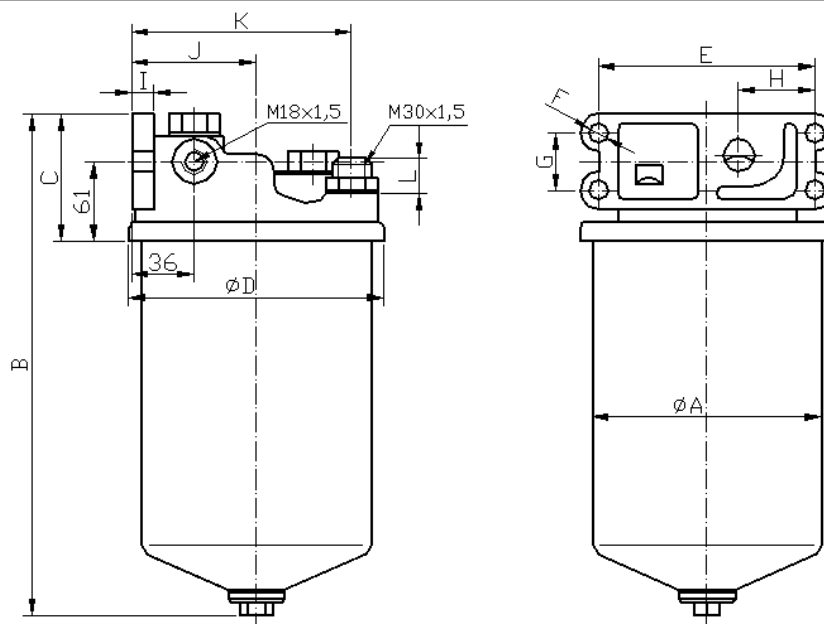
H01

NTP oznaka	Filter element		Dimenzije												
			A	B	C	D	E	F	G	H	I	J	K	L	X
PU01-0010	PU01.100	PU01.200	129	372	98	150	114	9	42	41	18	66	106	-	50
PU01-0013	U01-0013	PU01.200	129	372	98	150	114	9	42	41	18	66	106	20	50



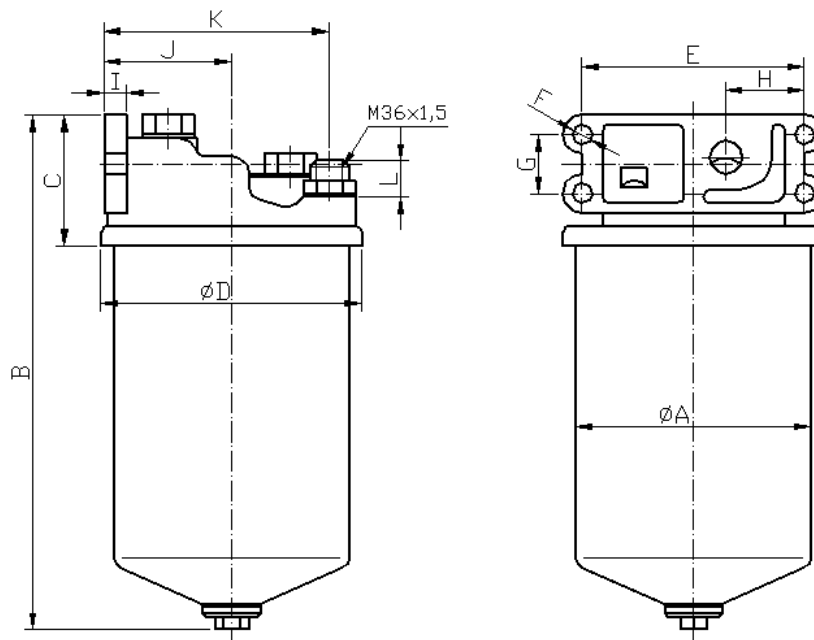
H02

NTP oznaka	Filter element		Dimenzije												
			A	B	C	D	E	F	G	H	I	J	K	L	X
PU01-0011	U01-0010	PU01.200	129	372	98	150	114	9	42	41	18	66	106	-	50
PU01-0012	U01-0013	PU01.200	129	372	98	150	114	9	42	41	18	66	106	20	50



H03

NTP oznaka	Filter element		Dimenzije												
			A	B	C	D	E	F	G	H	I	J	K	L	X
PU01-0014	U01-0013	PU01.200	129	372	98	150	114	9	42	41	18	66	106	24	50



H04

NTP oznaka	Filter element			Dimenzije									
				A	B	C	D	E	F	G	H	I	J
PU01-0020	PU02.000	PU07.000	PU07.100	129	439.5	49.5	132.5	70	16	11.5	76	114	82.5

