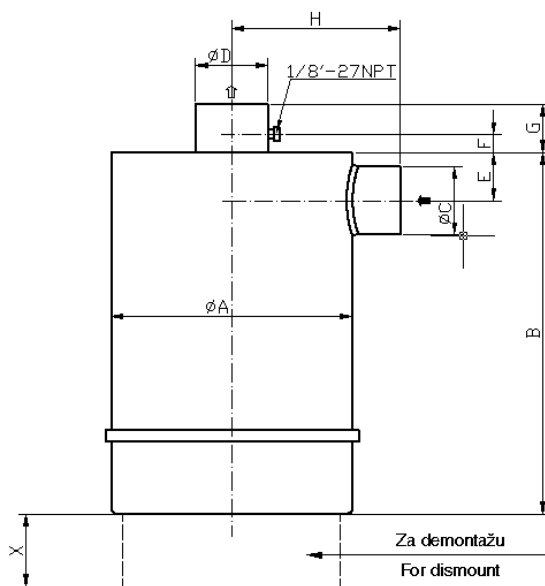


Suvi prečistači vazduha

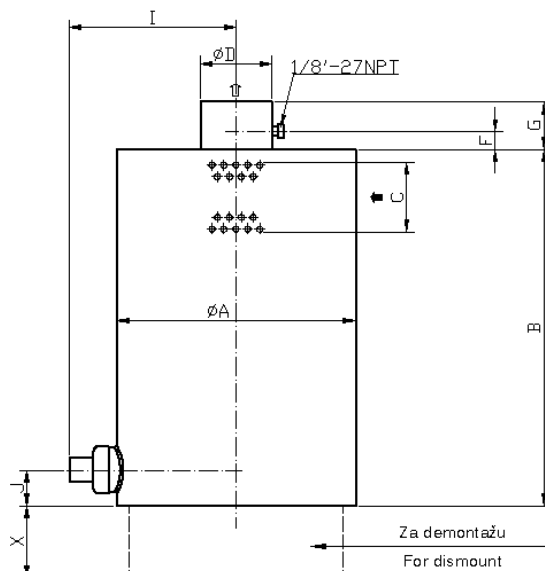
A01

NTP oznaka	Filter element		Dimenzije										
	Primarni	Sekundarni	A	B	C	D	E	F	G	H	I	J	X
FWG06-5151	P11-9775	-	166	350	63.5	57	38	37	72	120	-	-	200
FHG08-0195	P11-9363	-	203	460	95.2	88.9	61	20	53	184	-	-	391
FHG08-0200	P11-9363	P11-9410	203	460	95.2	88.9	61	20	53	184	-	-	391
FHG10-0028	P11-8166	-	258.8	535	114.3	127	86	10	51	205	-	-	440
FHG10-0029	P11-8166	P11-9375	258.8	535	114.3	127	86	10	51	205	-	-	440
FHG12-0012	P11-7439	-	300.5	459	127	127	119	10	51	226	-	-	365
FHG12-0014	P11-7439	P11-9374	300.5	459	127	127	119	10	51	226	-	-	365
FHG14-0022	P11-7437	P11-9373	355.5	535	152.5	152.5	134	12.5	57.5	257	-	-	416
FHG14-0023	P11-7437	-	355.5	535	152.5	152.5	134	12.5	57.5	257	-	-	416



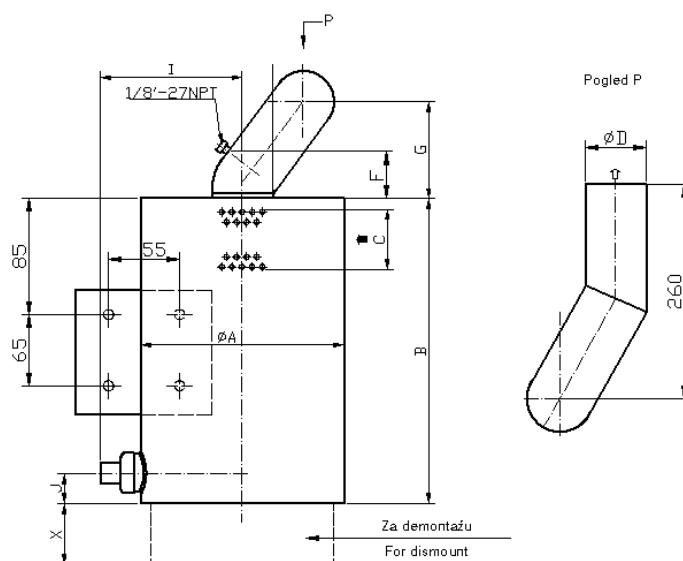
A02

NTP oznaka	Filter element		Dimenzije										
	Primarni	Sekundarni	A	B	C	D	E	F	G	H	I	J	X
FHG06-5217	P13-6008	P12-3160	166	307	63	57	-	18	48	-	157	49	305



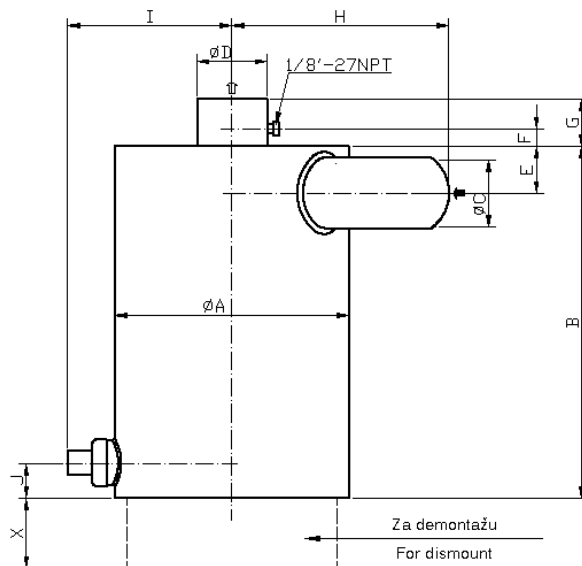
A03

NTP oznaka	Filter element		Dimenzije										
	Primarni	Sekundarni	A	B	C	D	E	F	G	H	I	J	X
FHG06-5217-02	T26-0123	-	166	285	63	60	-	45	75	-	157	47	260



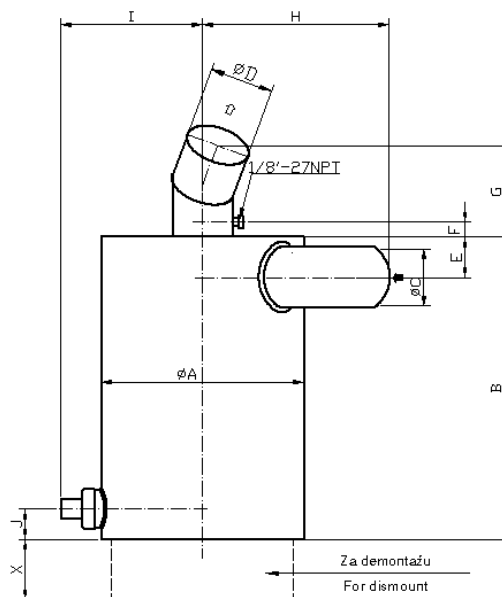
A04

NTP oznaka	Filter element		Dimenzije										
	Primarni	Sekundarni	A	B	C	D	E	F	G	H	I	J	X
FHG06-5217-06	T06-0129	T06-0130	166	231	51	54	57	18	48	300	157	49	230



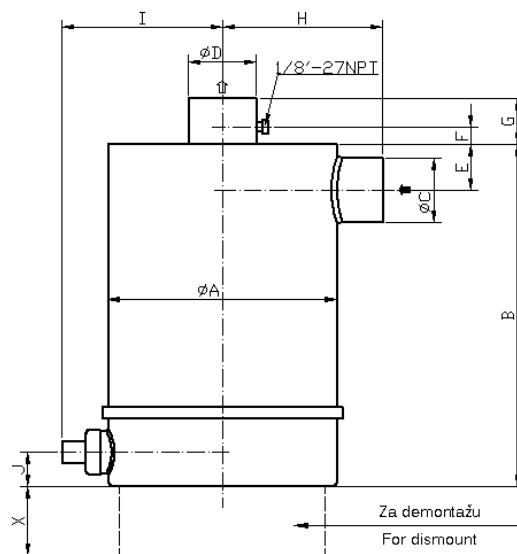
A05

NTP oznaka	Filter element		Dimenzije										
	Primarni	Sekundarni	A	B	C	D	E	F	G	H	I	J	X
FHG06-5217-08	T06-0129	T06-0130	166	231	51	54	57	16	62	300	157	49	230



A06

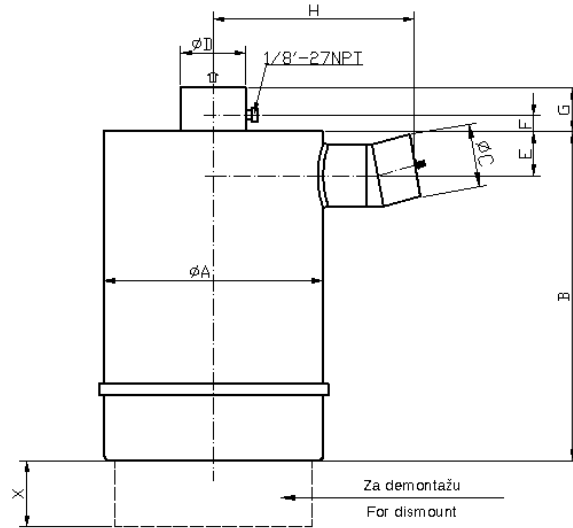
NTP oznaka	Filter element		Dimenzije										
	Primarni	Sekundarni	A	B	C	D	E	F	G	H	I	J	X
FHG08-0185	P11-9363	P11-9410	203	460	95.2	88.9	61	20	53	184	202	45	391
FWG08-0343	P13-8477	-	203	377	95	89	66	33.5	63	184	199.5	44.5	330
FHG10-0035	P11-8166	-	258.8	535	114.3	127	86	10	51	205	227.5	54	440
FHG10-0036	P11-8166	P11-9375	258.8	535	114.3	127	86	10	51	205	227.5	54	440
FHG10-0036	P11-8166	P11-9375	258.8	535	114.3	127	86	10*	51	205	227.5	54	440
FHG12-0036	P11-7439	P11-9374	300.5	484	127	127	119	10	51	226	243	54	365
FHG12-0037	P11-7439	-	300.5	484	127	127	119	10	51	226	243	54	365
FHG14-0054	P11-7437	P11-9373	355.5	560	152.5	152.5	134	12.5	57.5	257	272	66.5	416
FHG14-0054-01	P11-7437	P11-9373	355.5	560	152.5	152.5	134	12.5	57.5	257	272	66.5	416
FHG14-0055	P11-7437	-	355.5	560	152.5	152.5	134	12.5	57.5	257	272	66.5	416
FHG14-0055-01	P11-7437	-	355.5	560	152.5	152.5	134	12.5	57.5	257	272	66.5	416
FHG14-0055-02	P11-7437	-	355.5	560	152.5	130	134	12.5	80	257	272	66.5	416



\* priključak indikatora zaokrenut za 180° u odnosu na skicu

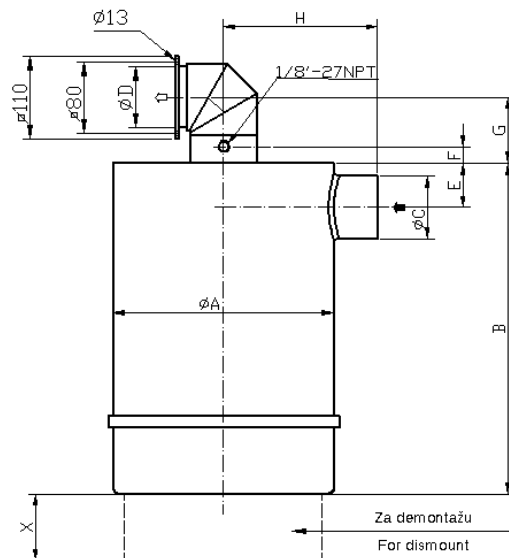
A07

NTP oznaka	Filter element		Dimenzije										
	Primarni	Sekundarni	A	B	C	D	E	F	G	H	I	J	X
FHG08-0200-01	P11-9363	P11-9410	203	460	95.2	88.9	61	20	53	225	-	-	391
FHG14-0022-05	P11-7437	P11-9373	355.5	535	127	152.5	120	12.5	57.5	300	-	-	416
FHG14-0022-11	P11-7437	P11-9373	355.5	535	152.5	152.5	124	12.5	57.5	308	-	-	416



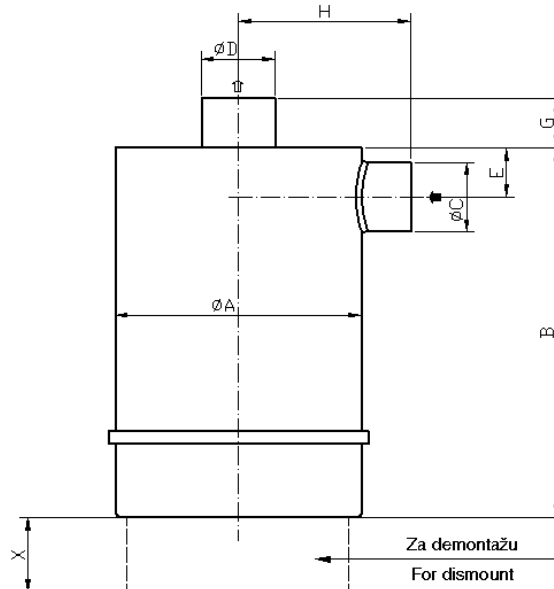
A08

NTP oznaka	Filter element		Dimenzije										
	Primarni	Sekundarni	A	B	C	D	E	F	G	H	I	J	X
FHG08-0200-02	P11-9363	P11-9410	203	460	95.2	81.5	61	20	80	184	-	-	391



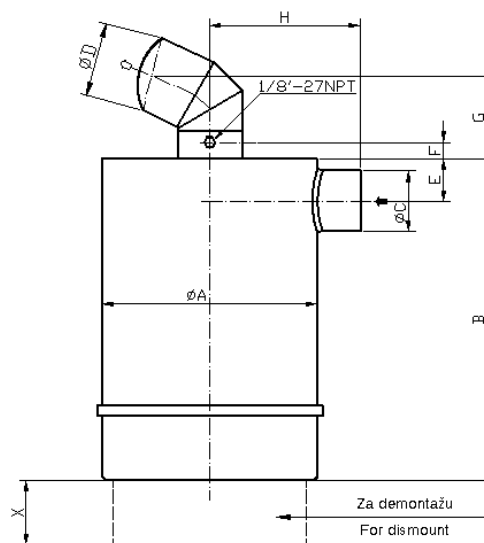
A09

NTP oznaka	Filter element		Dimenzije										
	Primarni	Sekundarni	A	B	C	D	E	F	G	H	I	J	X
FWG08-0342	P13-8477	-	203	377	82	82	66	-	35	140.5	-	-	330



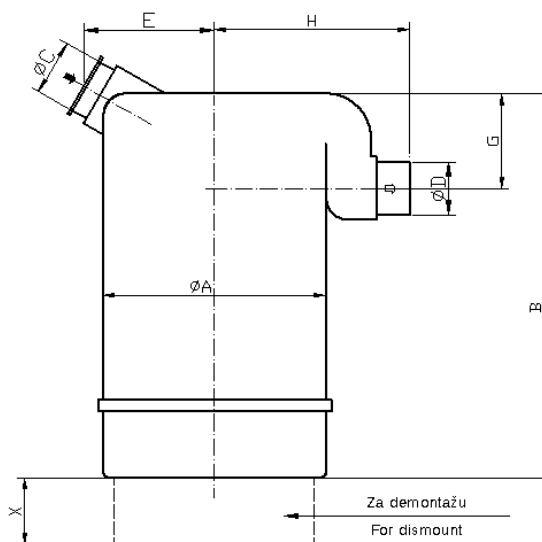
A10

NTP oznaka	Filter element		Dimenzije										
	Primarni	Sekundarni	A	B	C	D	E	F	G	H	I	J	X
FWG08-0342-01	P13-8477	-	203	377	82	80	66	34	91	140.5	-	-	330
FWG08-0342-02	P13-8477	-	203	377	80	80	66	62	75	147	-	-	330
FWG08-0342-06	P13-8477	-	203	377	82	80	66	34	80	140.5	-	-	330



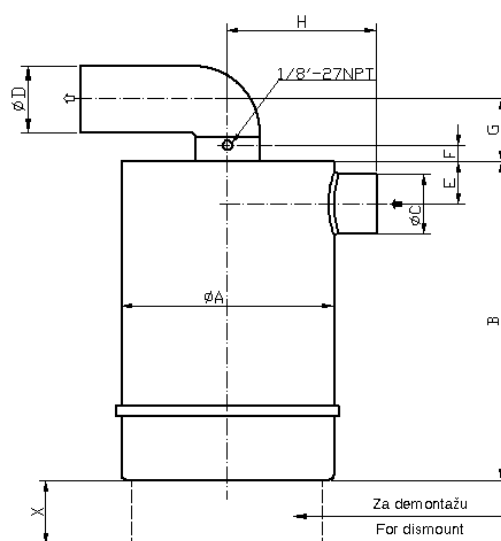
A11

NTP oznaka	Filter element		Dimenzije										
	Primarni	Sekundarni	A	B	C	D	E	F	G	H	I	J	X
FWA09-0029	P13-0514	-	240	538	110	80	165.5	-	143	210	-	-	400



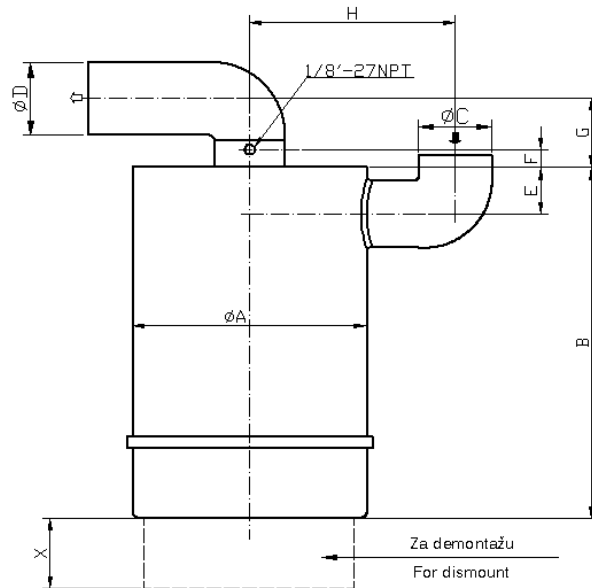
A12

NTP oznaka	Filter element		Dimenzije										
	Primarni	Sekundarni	A	B	C	D	E	F	G	H	I	J	X
FHG10-0029-01	P11-8166	P11-9375	258.8	535	110	101.5	86	50	100	205	-	-	440



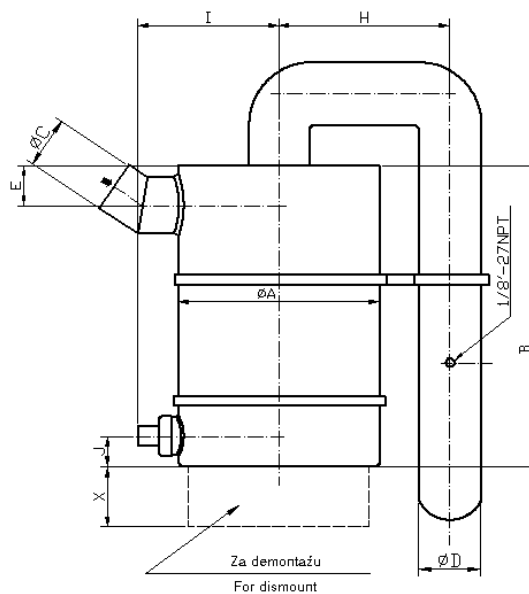
A13

NTP oznaka	Filter element		Dimenzije										
	Primarni	Sekundarni	A	B	C	D	E	F	G	H	I	J	X
FHG10-0029-02	T10-0212	T10-0214	258.8	435	101	101	86	60	100	230	-	-	375
FHG10-0029-06	T10-0212	T10-0214	258.8	435	101	101	86	60	100	230	-	-	375



A14

NTP oznaka	Filter element		Dimenzije										
	Primarni	Sekundarni	A	B	C	D	E	F	G	H	I	J	X
FWG10-0133	P12-9745	-	259	395	101.5	90	85	-	-	212	230	54	365
FWG10-0134	P12-9745	-	259	395	101.5	90*	85	-	-	212	230	54	365

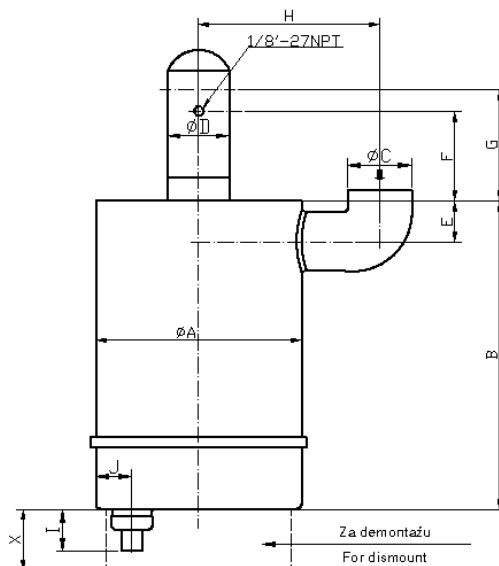


\* otvor izlazne cijevi zakrenut za 180° u odnosu na skicu



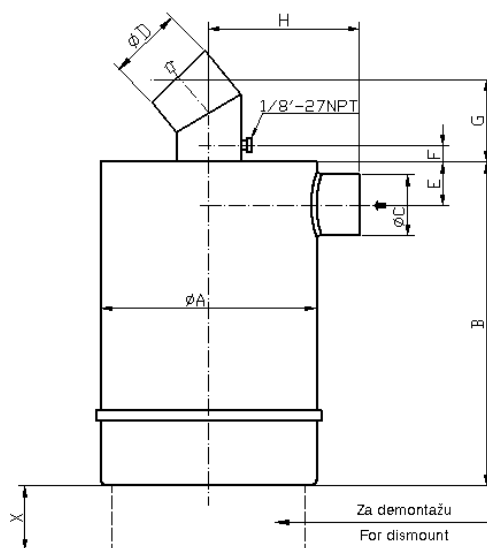
A15

NTP oznaka	Filter element		Dimenzije										
	Primarni	Sekundarni	A	B	C	D	E	F	G	H	I	J	X
FWG10-0133-01	P12-9745	-	259	426	103	90	87	114	131	234	77	74.5	250
FWG10-0133-04	P12-9745	-	259	426	103	90	87	114	131	234	77	74.5	250



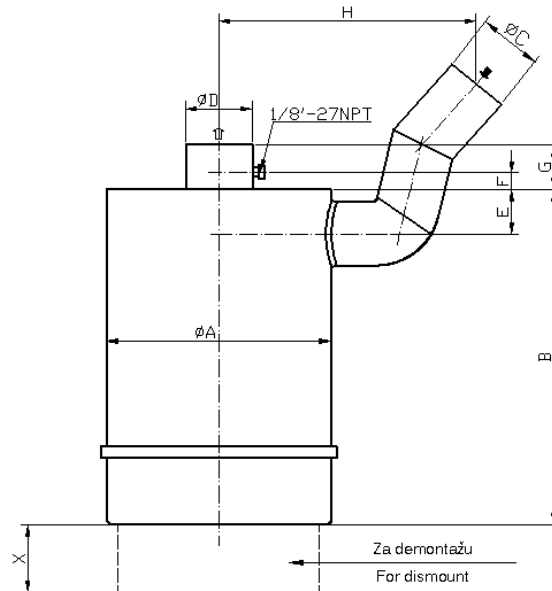
A16

NTP oznaka	Filter element		Dimenzije										
	Primarni	Sekundarni	A	B	C	D	E	F	G	H	I	J	X
FHG12-0012-01	P11-7439	P11-9374	300.5	459	127	127	119	12	94	226	-	-	365



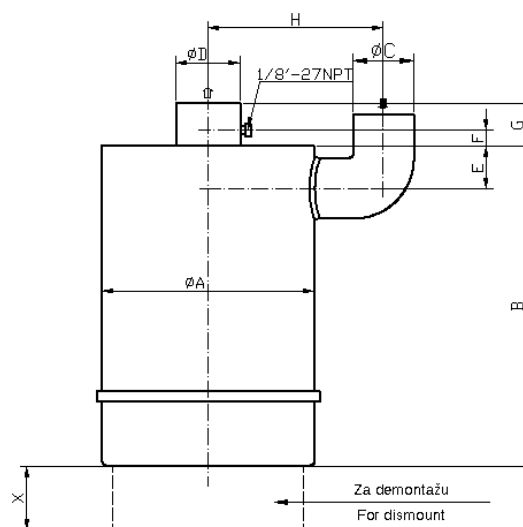
A17

NTP oznaka	Filter element		Dimenzije										
	Primarni	Sekundarni	A	B	C	D	E	F	G	H	I	J	X
FHG12-0014-01	P11-7439	P11-9374	300.5	459	127	127	119	10	51	337	-	-	365



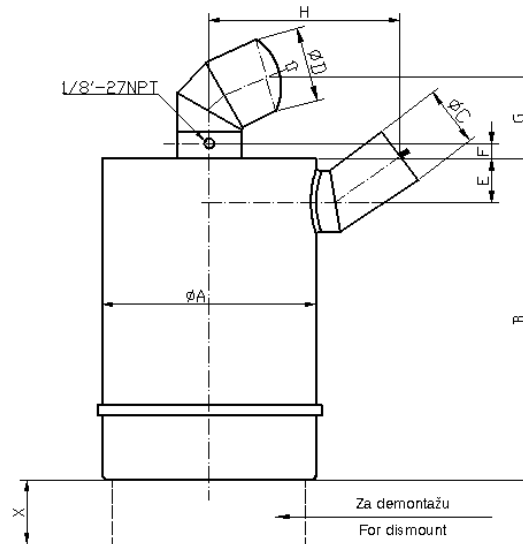
A18

NTP oznaka	Filter element		Dimenzije										
	Primarni	Sekundarni	A	B	C	D	E	F	G	H	I	J	X
FHG12-0014-02	P11-7439	P11-9374	300.5	489	127	127	150	10	51	237	-	-	365
FHG14-0022-04	P11-7437	P11-9373	355.5	535	127	152.5	134	12.5	57.5	266	-	-	416
FHG14-0022-10	P11-7437	P11-9373	355.5	535	152.5	152.5	134	12.5	57.5	278	-	-	416
FHG14-0022-15	P11-7437	P11-9373	355.5	514	152.5	152.5	113	33.5	78.5	278	-	-	416



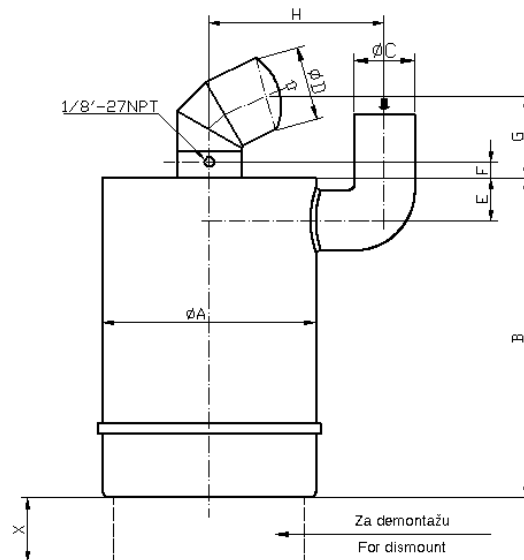
A19

NTP oznaka	Filter element		Dimenzije										
	Primarni	Sekundarni	A	B	C	D	E	F	G	H	I	J	X
FHG12-0014-03	T12-0069	P11-9375	300.5	530	110	110	81	40	102	290	-	-	270
FHG14-0022-13	P11-7437-01	P11-9373	355.5	504	110	110	81	40	118	317.5	-	-	270



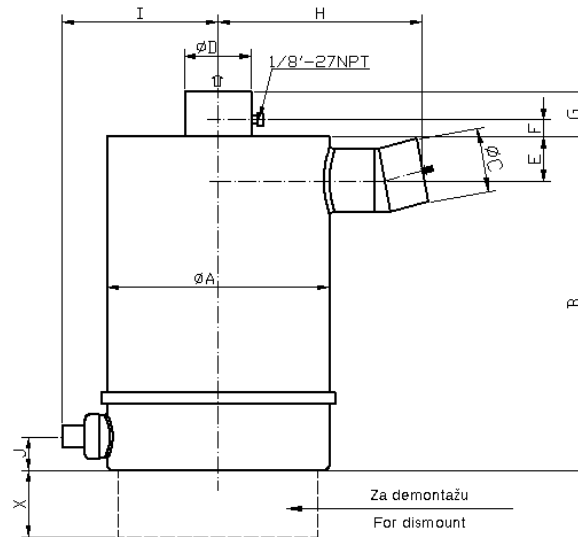
A20

NTP oznaka	Filter element		Dimenzije										
	Primarni	Sekundarni	A	B	C	D	E	F	G	H	I	J	X
FHG12-0014-04	T12-0069	P11-9375	300.5	530	110	110	81	40	102	215	-	-	270
FHG14-0022-12	P11-7437-01	P11-9373	355.5	504	110	110	81	40	118	250	-	-	270



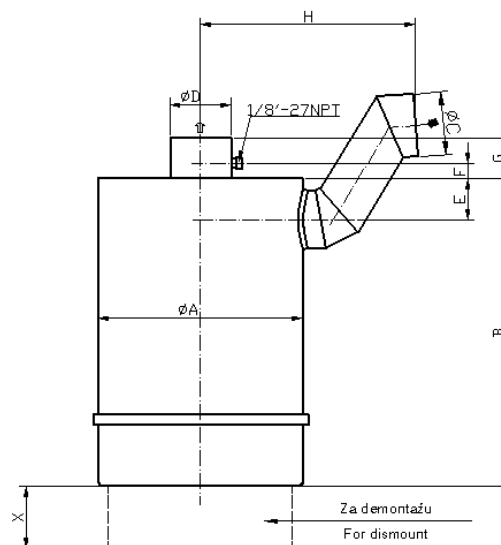
A21

NTP oznaka	Filter element		Dimenzije										
	Primarni	Sekundarni	A	B	C	D	E	F	G	H	I	J	X
FHG12-0036-01	P11-7439	P11-9374	300.5	484	127	127	119	10	51	247	243	67	365



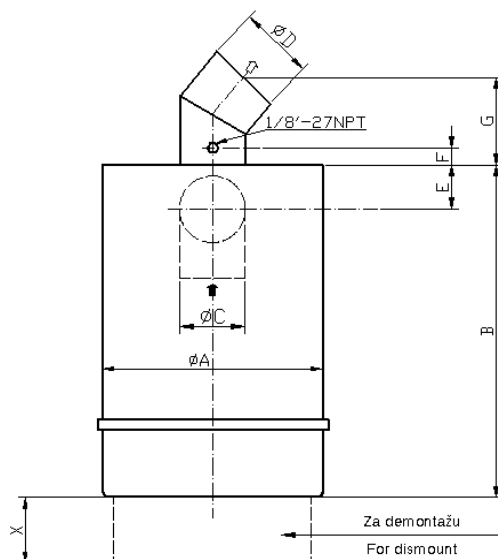
A22

NTP oznaka	Filter element		Dimenzije										
	Primarni	Sekundarni	A	B	C	D	E	F	G	H	I	J	X
FHG12-0189	P11-7439	-	300.5	459	110	127	120	10	51	310	-	-	365
FHG14-0022-01	P11-7437	P11-9373	355.5	535	110	152.5	134	12.5	57.5	377	-	-	416
FHG14-0022-09	P11-7437	P11-9373	355.5	535	110	152.5	134	12.5	57.5	366	-	-	416
FHG14-0023-01	P11-7437	-	355.5	535	110	152.5	134	12.5	57.5	366	-	-	416



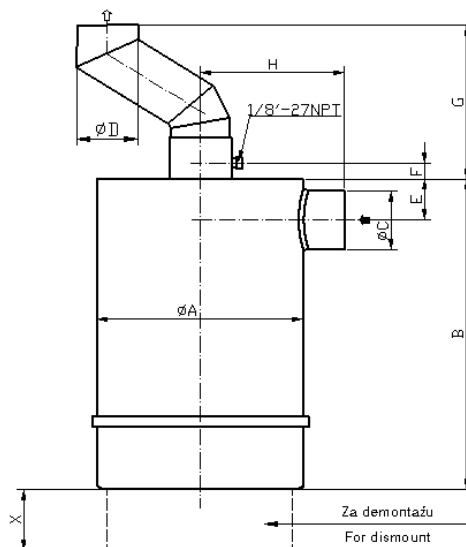
A23

NTP oznaka	Filter element		Dimenzije										
	Primarni	Sekundarni	A	B	C	D	E	F	G	H	I	J	X
FHG14-0022-08	P11-7437	P11-9373	355.5	535	127	127	134	10	72	-	-	-	416



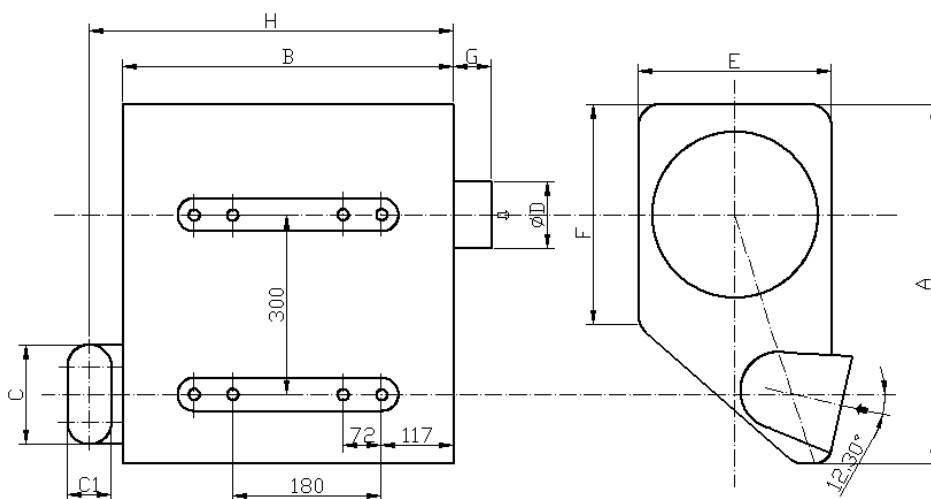
A24

NTP oznaka	Filter element		Dimenzije										
	Primarni	Sekundarni	A	B	C	D	E	F	G	H	I	J	X
FHG14-0023-02	P11-7437	-	355.5	535	152.5	101	134	12.5	363	257	-	-	416



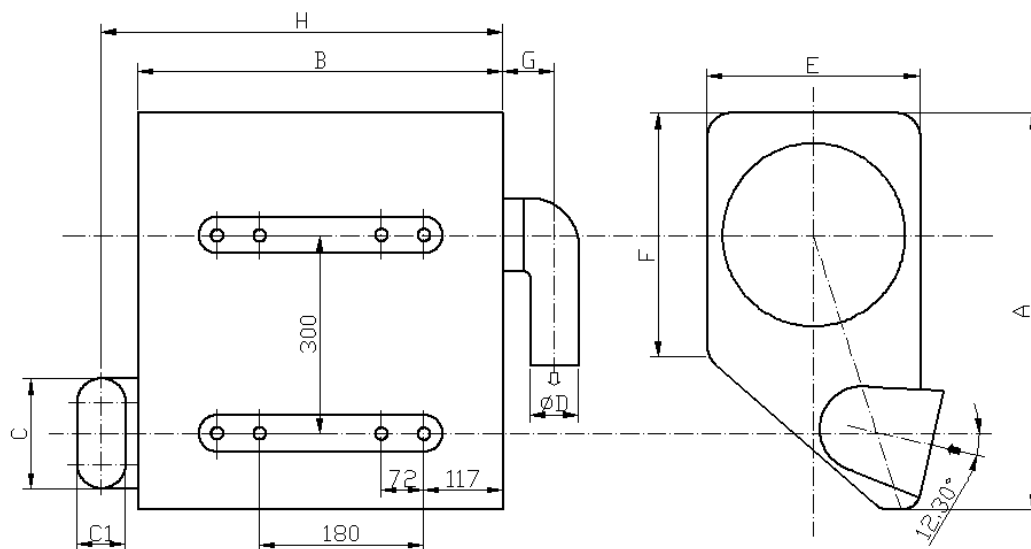
A25

NTP oznaka	Filter element		Dimenzije								
	Primarni	Sekundarni	A	B	C	C1	D	E	F	G	H
11214-0150	P11-7437	-	638	500	208	98	130	425	342	80	558



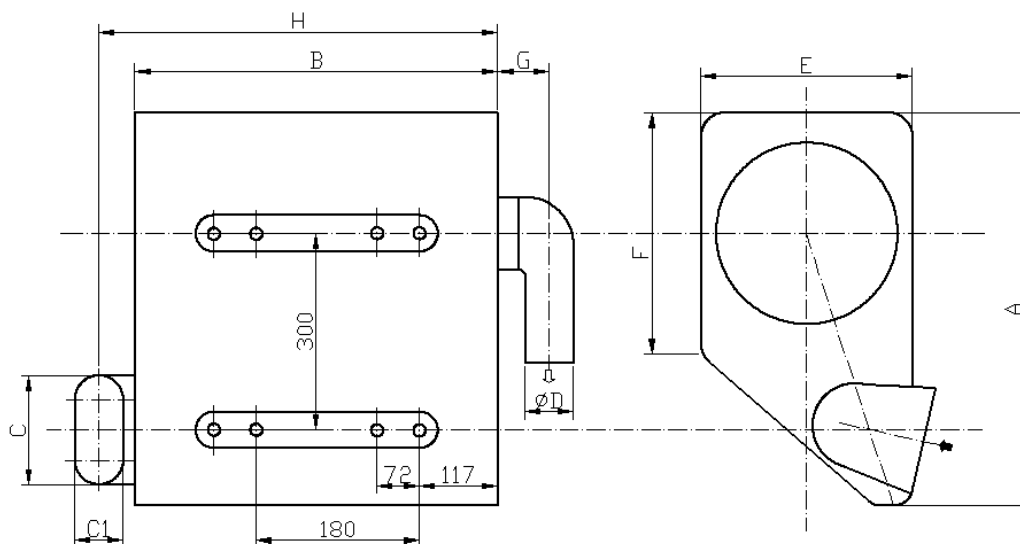
A26

NTP oznaka	Filter element		Dimenzije								
	Primarni	Sekundarni	A	B	C	C1	D	E	F	G	H
11214-0154	P11-7437	-	638	500	208	98	101	425	342	90	558



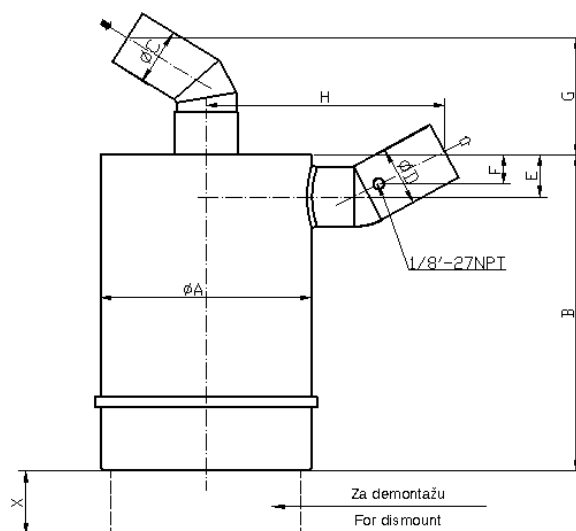
A27

NTP oznaka	Filter element		Dimenzije								
	Primarni	Sekundarni	A	B	C	C1	D	E	F	G	H
11214-0222	P11-7437	-	638	500	208	98	101	425	342	90	558



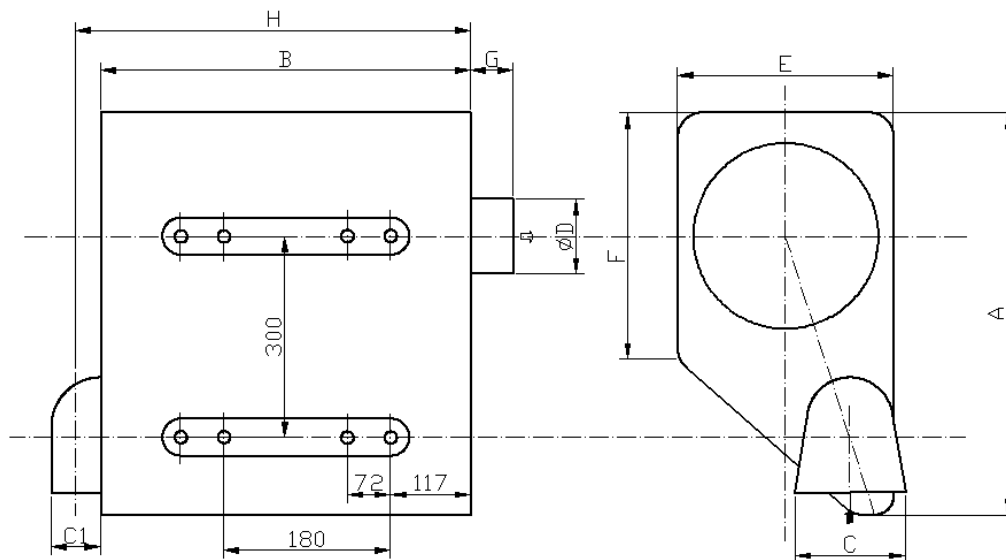
A28

NTP oznaka	Filter element		Dimenzije										
	Primarni	Sekundarni	A	B	C	D	E	F	G	H	I	J	X
11214-0240	P11-7439	-	300.5	495	129.5	100	72	52	147	282	-	-	225



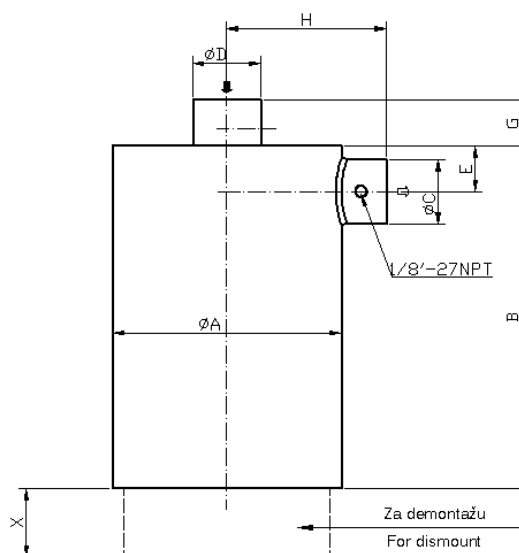
A29

NTP oznaka	Filter element		Dimenzije								
	Primarni	Sekundarni	A	B	C	C1	D	E	F	G	H
11214-0250	P11-7437	-	638	500	208	98	130	425	355	80	520



A30

NTP oznaka	Filter element		Dimenzije										
	Primarni	Sekundarni	A	B	C	D	E	F	G	H	I	J	X
11214-0320	T02-8261	-	270	380	100	100	130	-	40	210	-	-	410

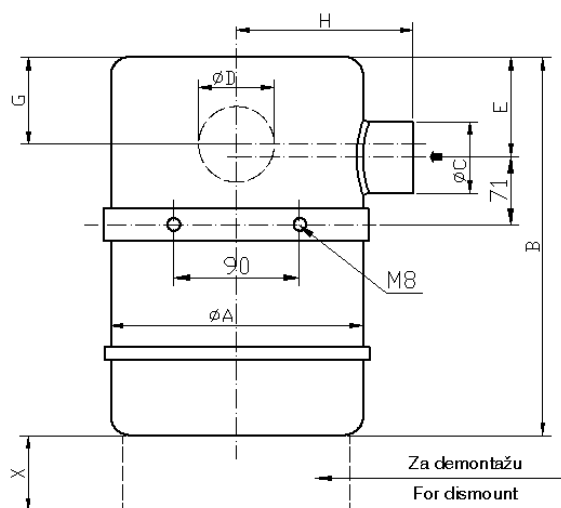




Prečištači vazduha sa uljnom kadom

A31

NTP oznaka	Dimenzije								
	A	B	C	D	E	F	G	H	X
PV14.000.20	205	292	68	70*	52	-	57	155	15
PV14.000.30	205	292	68	70	52	-	57	155	15



\* ulaz zaokrenut za 180° u odnosu na skicu

A32

NTP oznaka	Dimenzije								
	A	B	C	D	E	F	G	H	X
PV14.000.40	205	286	68	70	51	-	50	150	15
PV14.000.50	205	286	68	70	51	-	75	150	15

